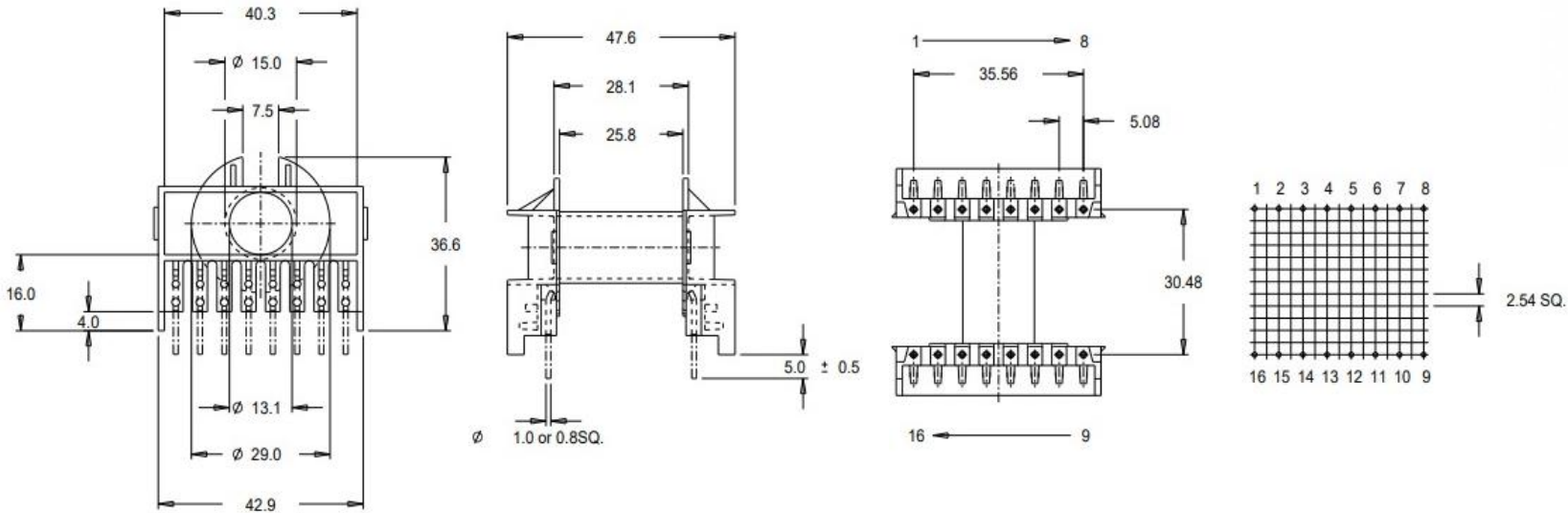




FD7010



Part Number FD7010	Part Weight (g) 13.1	Carton Quantity 360	Pinning Configuration TPB-RD-100 1:2:3:4:5:6:7:8:9:10:11:12:13:14:15:16:
Order Code FD7010FR3BLK0001	Material Rynite FR530L	Carton Size (mm) 465x315x260	Pin Length (mm) (from standoff) 5.0
Part Description Bobbin ETD39 H 16P UL94V0	Material Datasheets	Related Items TCL-39	Terminal Pin Material Phosphor Bronze
Product Range ETD Range	UL Rating UL94V0	3D CAD Image	Compliance information

MILES - PLATTS

+44 (0)116 264 3850

milesplatts.co.uk

enquiries@milesplatts.co.uk